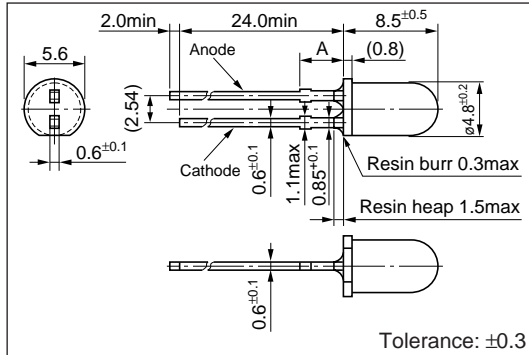


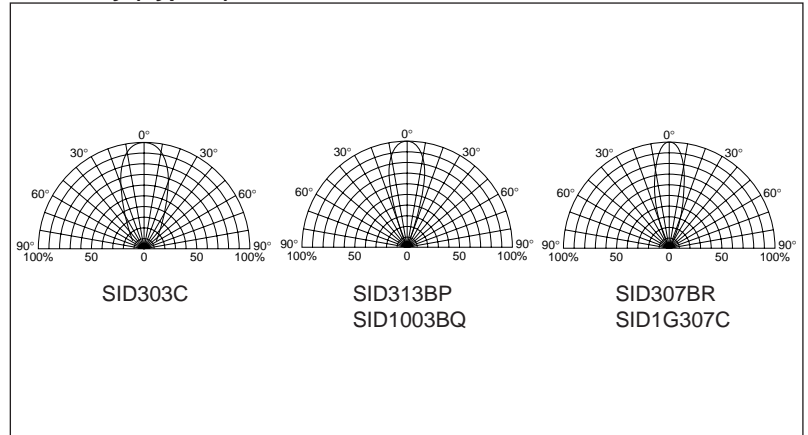
5 ϕ Round Infrared LED

SID300/1003 Series

External Dimensions (Unit: mm)



Directivity (Typical)



Absolute maximum ratings (Ta=25°C)

Symbol	Unit	Rating	Condition
I _F	mA	150	
ΔI _F	mA/°C	-1.33	Above 25°C
I _{FP}	mA	1000	f=1kHz, tw≤10μs
V _R	V	5	
Top	°C	-30 to +85	
Tstg	°C	-30 to +100	

Electrical Optical characteristics (Ta=25°C)

Part Number	Lens color	Forward voltage		Reverse current		Optical Power		Peak wavelength		Spectrum half width		Chip material	Dimension A (mm)	
		V _F (V)		I _R (μA)	Condition V _R (V)	I _e (mW/sr)	Condition	λ _P (nm)	Condition I _F (mA)	Δλ (nm)	Condition I _F (mA)			
		typ	max	max		typ		typ		typ				
SID303C	Clear	1.3	1.5	50	10	5	80	(Constant voltage)	940	50	50	50	GaAs	3.0 ^{±0.5}
SID313BP	Transparent light purple	1.3	1.5	50	10	5	130	V _{CC} =3V	940	50	50	50		3.6 ^{±0.5}
SID1003BQ	Transparent light navy blue	1.3	1.5	50	10	5	180		940	50	50	50		4.2 ^{±0.5}
SID307BR	Transparent dark navy blue	1.3	1.5	50	10	5	200	R=2.2Ω	940	50	50	50		
SID1G307C	Clear	1.5	1.8	50	10	5	50	I _F =50mA	850	50	40	50		